

卫生级直通球阀

Sanitary Straight Ball Valve

应用 Applications

该类型球阀系列是一款卫生型的用于物料传送控制的一类阀门系列。广泛应用于食品、饮料加工，以及制药和化学工业领域。

This type of ball valve series is a hygienic type of valve series used for material transfer control. Widely used in food and beverage processing, as well as in the pharmaceutical and chemical industries.

标准设计 Standard Design

有各标准的阀门系列可以向客户提供，即用于DIN标准系列，3A标准系列，SMS标准系列，ISO/IDF标准系列，BS/RJT标准系列，ASME/BPE等标准系列。

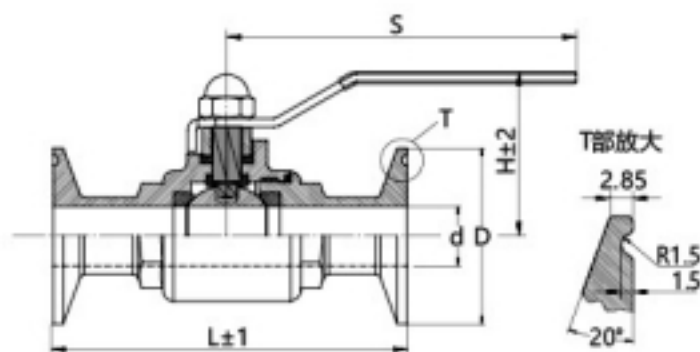
球阀的组成部件一般包括：一个手柄、一个带有贯通腔的球体、阀体、阀门轴芯以及轴密封圈。

现有的球阀系列规格有：焊接式球阀、卡箍式球阀、螺纹式球阀等系列球阀。

Valve series of various standards can be provided to customers, namely for DIN standard series, 3A standard series, SMS standard series, iso/idf standard series, bs/rjt standard series, asme/bpe and other standard series.

The components of the ball valve generally include: a handle, a ball with a through cavity, a valve body, a valve shaft core and a shaft sealing ring.

The existing ball valve series specifications include: welded ball valve, clamp ball valve, threaded ball valve and other series of ball valves.



材料 Material

钢制部件: SUS304, SUS316L

密封件: PTFE, PPL

Steel parts: SUS304,SUS316L

Sea: PTFE,PPL

Size	d	D	L	H	S
1/2"	10	25.5	75	41	95
3/4"	17	50.5	100	47	124
1"	22	50.5	120	62	132
1 1/4"	28	50.5	130	66	137
1 1/2"	35	50.5	140	76	154
1 3/4"	42	64	150	84	160
2"	47.5	64	164	91	173
2 1/4"	53	77.5	164	93	173
2 1/2"	60	77.5	190	97	173
3"	72	91	215	106	234
3 1/2"	80	106	225	125	244
4"	100	119	260	164	244
5"	125	145	320	210	350